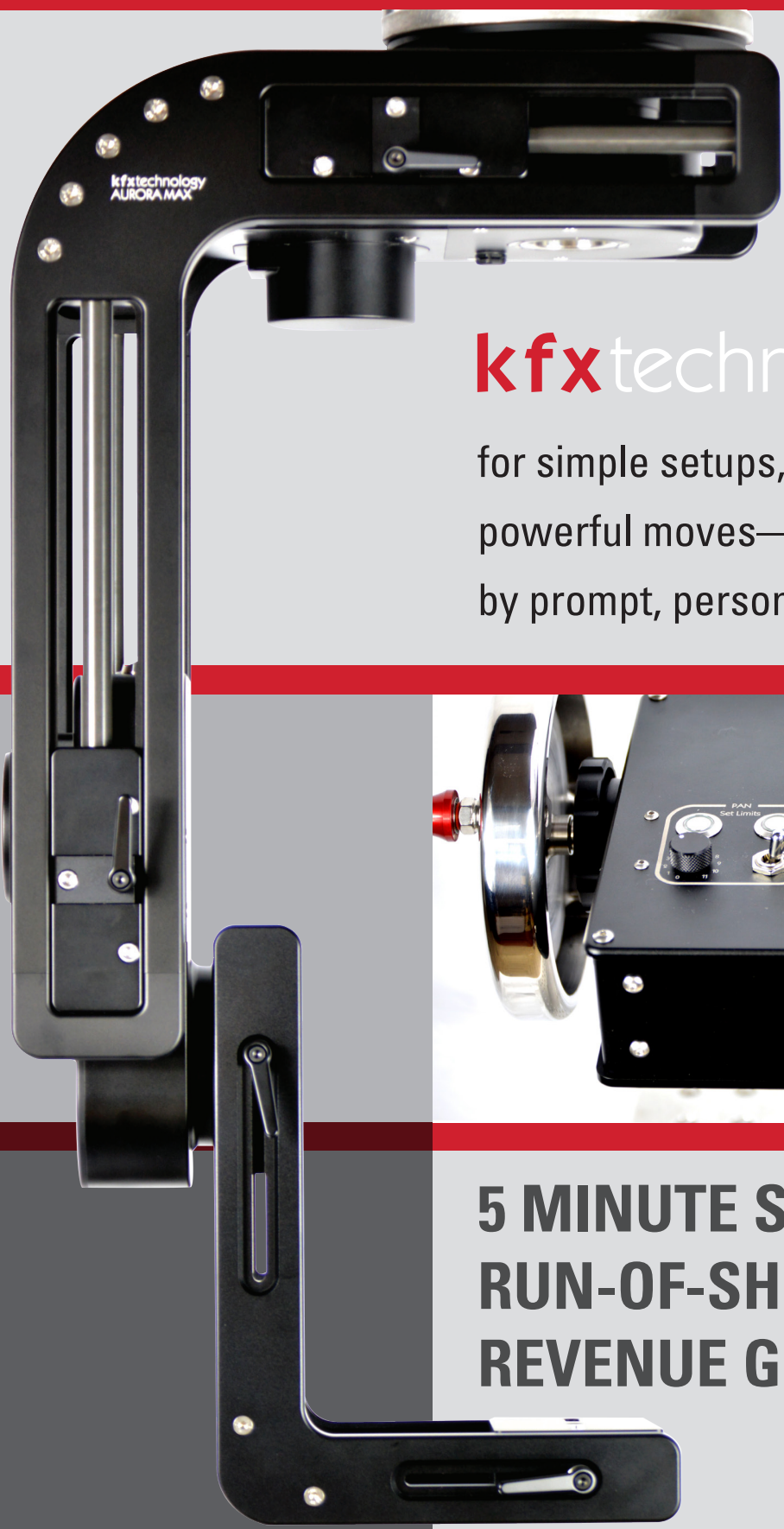


KFX AURORA MAX CAMERA REMOTE HEAD



kfxtechnology

for simple setups, controlled motion,
powerful moves—and it's all backed
by prompt, personalized service.

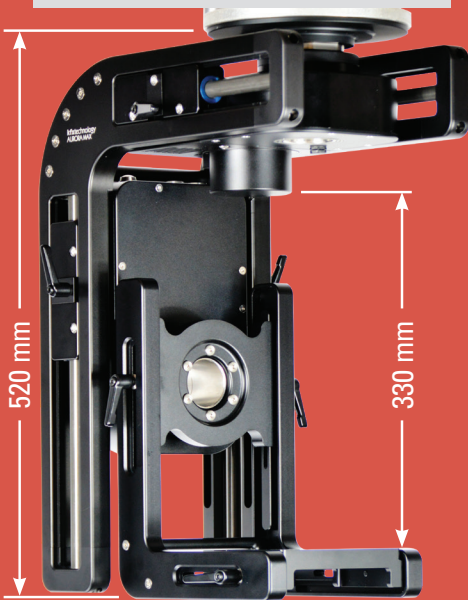


**5 MINUTE SETUP.
RUN-OF-SHOW VALUE.
REVENUE GENERATOR.**

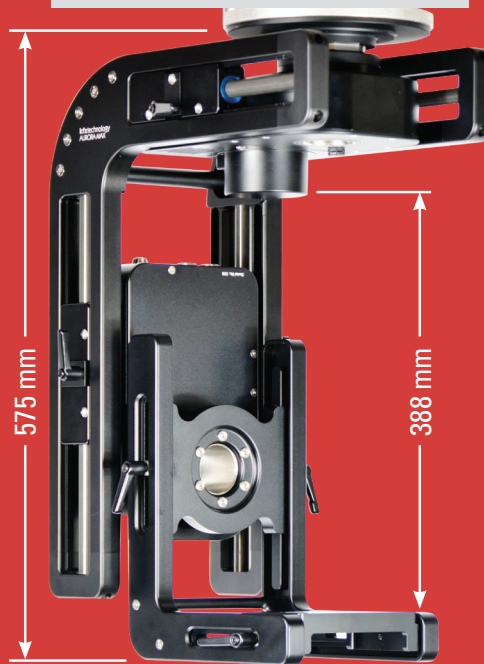
www.kfxtechnology.com

KFX AURORA MAX CAMERA REMOTE HEAD

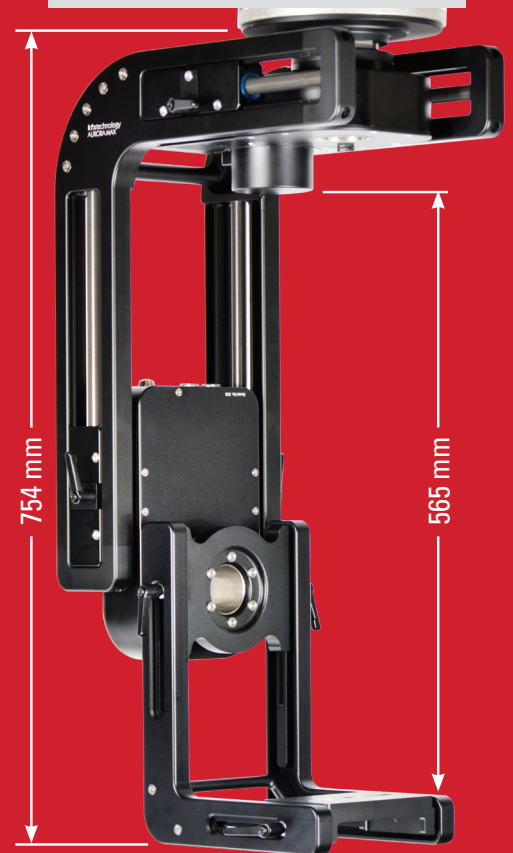
MINIMUM SETTING



MEDIUM SETTING



MAXIMUM SETTING



- > Pan/Tilt Speed 120 deg/sec
- > Pan/Tilt speed and damping adjustable via rotary knobs on the control console
- > Pan and Tilt direction set via switches for direction and neutral
- > Hand wheel, pan bar or optional joystick/pan and tilt operation
- > Easily set limits and feathering for limits
- > Underslung full extension space for camera is 56cm
- > Underslung fully closed space for camera is 36cm

Specifications:

- > 5-minutes Setup Time Plug and Play
- > Payload: 45kg
- > Weight: 16kg
- > Speed: 120 deg/sec
- > Dimensions needed

kfxtechnology

141 Flushing Ave, Building 77, Suite 1204
Brooklyn, NY, 11205 USA

USA: +1 718 369 0289 | sales@kfxtechnology.com